

BOSE[®]

BOSE[®] Link AR1

WIRELESS AUDIO RECEIVER


Owner's Guide




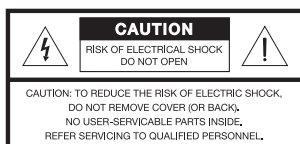
SAFETY INFORMATION

Please read this owner's guide

Please take the time to follow the instructions in this owner's guide carefully. It will help you set up and operate your system properly and enjoy its advanced features. Please save this owner's guide for future reference.

 **WARNING:** To reduce the risk of fire or electrical shock, do not expose the product to rain or moisture.


 **WARNING:** The apparatus shall not be exposed to dripping or splashing, and objects filled with liquids, such as vases, shall not be placed on the apparatus. As with any electronic product, use care not to spill liquids into any part of the system. Liquids can cause a failure and/or a fire hazard.



The lightning flash with arrowhead symbol within an equilateral triangle alerts the user to the presence of uninsulated, dangerous voltage within the system enclosure that may be of sufficient magnitude to constitute a risk of electric shock.




The exclamation point within an equilateral triangle alerts the user to the presence of important operating and maintenance instructions in this owner's guide.


 **WARNING:** No naked flame sources, such as lighted candles, should be placed on the apparatus.

 **Note:** The product label is located on the bottom of the product.

This product is intended to be used only with the power supply provided. Where the mains plug is used as the disconnect device, such disconnect device shall remain readily operable.

This product must be used indoors. It is neither designed nor tested for use outdoors, in recreation vehicles, or on boats.

 This product conforms to the EMC Directive 89/336/EEC and to the Low Voltage Directive 73/23/EEC. The complete Declaration of Conformity can be found at www.bose.com.

 This product conforms to the RTTE Directive (99/5/EC). The complete Declaration of Conformity can be found at www.bose.com.

Important Safety Instructions

1. **Read these instructions** – for all components before using this product.
2. **Keep these instructions** – for future reference.
3. **Heed all warnings** – on the product and in the owner's guide.
4. **Follow all instructions.**
5. **Do not use this apparatus near water** – Do not use this product near a bathtub, washbowl, kitchen sink, laundry tub, in a wet basement, near a swimming pool, or anywhere else that water or moisture are present.
6. **Clean only with a dry cloth** – and as directed by Bose Corporation. Unplug this product from the wall outlet before cleaning.
7. **Do not block any ventilation openings. Install in accordance with the manufacturer's instructions** – To ensure reliable operation of the product and to protect it from overheating, put the product in a position and location that will not interfere with its proper ventilation.
8. **Do not install near any heat sources, such as radiators, heat registers, stoves, or other apparatus (including amplifiers) that produce heat.**
9. **Only use attachments/ accessories specified by the manufacturer.**
10. **Unplug this apparatus during lightning storms or when unused for long periods of time** – to prevent damage to this product.
11. **Refer all servicing to qualified service personnel. Servicing is required when the apparatus has been damaged in any way: such as power supply cord or plug is damaged; liquid has been spilled or objects have fallen into the apparatus; the apparatus has been exposed to rain or moisture, does not operate normally, or has been dropped.**

For Your Records

Now is a good time to locate the serial number on the bottom of the unit and record it here.

Serial number: _____

Dealer name: _____

Dealer phone: _____ Purchase date: _____


Bose recommends that you keep your sales slip and a copy of your product registration card together with this guide.

EXPANDING YOUR AUDIO LINK

The Bose® link AR1 Wireless Audio Receiver


Your AR1 receiver works with the Bose® link AL8 Homewide Wireless Audio Link transmitter. It provides room-to-room wireless audio reception for Bose link expansion products. These include systems, amplifiers, and powered speakers.

You can also use it with some older Bose products that are not Bose link-compatible or with a tuner/receiver or a pair of powered speakers that are not from Bose.

 **Note:** Use of the AR1 receiver with a product that is not Bose link-compatible requires a special adapter cable. For further information, refer to “Instructions for non-Bose or older Bose® products” on page 6.

Getting it ready

- Check the AR1 receiver connection panel to make sure the Setup Code switches are set to match those on the connection panel of the AL8 transmitter. This ensures compatibility.

 **Note:** For further information on the Setup Code, refer to the owner's guide that came with your AL8 Homewide Wireless Audio Link.

- Place the receiver within 2 meters (7 feet) of the product it connects to (using the supplied Bose link A cable).
- Place it within 23 meters (75 feet) of the AL8 transmitter.
- Keep it upright with all feet flat on a level surface, such as a floor, table, or shelf.
- Do not tip it on its side.

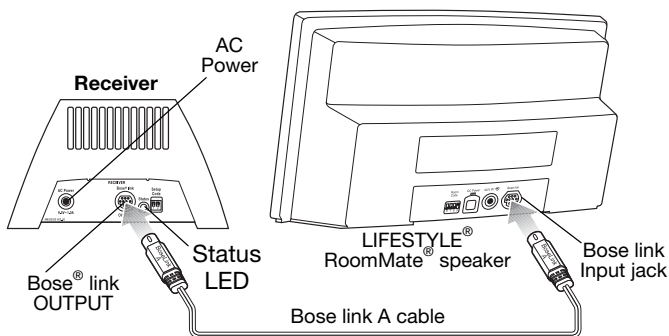
Connecting to a Bose® link-compatible product

These instructions are for use of the AR1 receiver with a Bose® link compatible expansion product only. If these instructions are not appropriate, refer to “Instructions for non-Bose or older Bose® products” on page 6.

1. Connect one end of the supplied Bose link A cable into the Bose link OUTPUT jack on the AR1 receiver.
2. Connect the other end of the cable to the Bose link Input jack on the expansion room system, amplifier, or powered speaker (Figure 1).

Figure 1

Connection to a LIFESTYLE® SA-3, amplifier, as an example

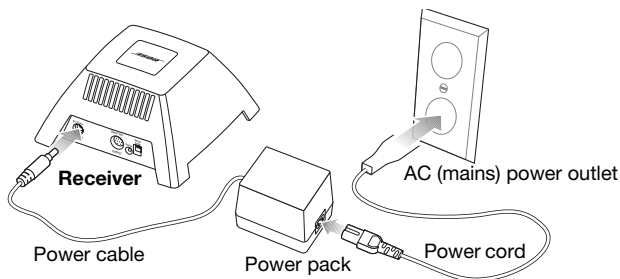


3. Insert the small plug on the power pack cable into the AC Power jack on the receiver (Figure 2).
4. Insert the small connector end of the power cord into the jack on the power pack. Plug the other end of the cord into an AC (mains) wall outlet.

EXPANDING YOUR AUDIO LINK

Figure 2

Power pack connection to the AR1 and AC power



The Status LED lights to verify this power connection.

🎵 **Note:** For information on the meaning of the different Status LED lights, refer to "Check the indicators and settings" on page 8.

Instructions for non-Bose or older Bose® products

The AR1 receiver can connect to some products that are not Bose® link-compatible, including:

- Non-Bose products like a tuner/receiver or powered speaker system
- Bose powered speakers, a radio, or system with its own volume and on/off controls and line-level female RCA input jacks connected to the receiver.

Any of the above products require the use of an RCA to DIN adapter cable for connecting to the receiver. An adapter kit, which contains two of these cables, is available from Bose.

🎵 **Note:** To order the adapter kit, contact Bose and request Part Number 285320-207. For Bose contact information, refer to the address sheet included in the carton.

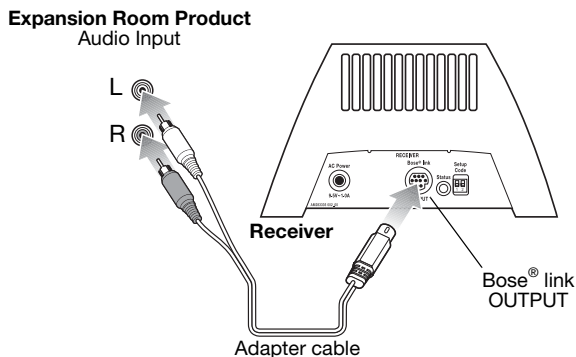
To use an adapter cable:

The RCA connectors are color-coded, red for right and white for left.

1. Insert the adapter cable DIN connector into the Bose link jack on the receiver (OUTPUT).
2. Insert the adapter cable RCA connectors into the Audio In jack on the expansion room product. Match left to left and right to right.

Figure 3

Connections
using the
adapter cable



3. Complete the connections using the power pack.
4. Connect the receiver to power:
 - Insert the small plug on the power pack cable into the AC Power jack on the receiver (Figure 2).
 - Insert the small connector end of the power cord into the jack on the power pack. Plug the other end of the cord into a AC (mains) wall outlet.

The Status LED lights to verify this power connection.

Note: For information on the meaning of the different Status LED lights, refer to “Check the indicators and settings” on page 8.

In the room where your AR1 receiver is connected using the adapter cable, be sure to set your Bose® link remote or PERSONAL® music center II for use in Room “O.”

To control the sound:

Use a Bose link remote control or the PERSONAL® music center II to select audio from the LIFESTYLE® system in the main room.

Use the expansion room product remote or console control for local volume adjustments.

CONFIRMING OPERATION

Check the indicators and settings

Before you use this addition to the audio link, you may want to check some of the indicators and settings that make your expansion products work together smoothly.

The Status LED

On the connection panel of both the transmitter and the receiver, the Status LED indicates how the two units are communicating, as shown in the table below.

Status LED	Blinking green	Solid green	Blinking orange	Solid orange
On the transmitter	Searching for receiver	Receiver located	Not applicable	Powered on, no communication
On the receiver	Searching for transmitter	Solid signal received	Weak signal received	Weak or no signal received

On the receiver, a blinking or solid orange light indicates a communications problem. Repositioning the transmitter or receiver, or both, may resolve the problem and cause both LEDs to change to solid green. For further information, refer to “Troubleshooting” on page 9.

Your Bose® link expansion room remote control


- Room code

If you have more than one LIFESTYLE® system expansion room set up, make sure the remote used in each one has a unique room code.

- House code

The house code setting on the remote must match the setting on your LIFESTYLE® system. This is an issue only if you have changed the system house code due to interference with another LIFESTYLE® system.

For information on these house code and room code settings and how to change them, refer to the owner’s guide that came with your remote.

 **Note:** Setup codes for the AL8 transmitter and AR1 receiver, which must be identical to each other, do NOT need to match house codes on the remote or LIFESTYLE® system.

Your Bose® link expansion room product

- Room code

Make sure the system, amplifier, or powered speaker room code setting matches that of the remote you are using in the expansion room.

For information on room code settings and how to change them, refer to the owner's guide that came with your Bose® link product.

Troubleshooting

Problem	What to do
No sound	<ul style="list-style-type: none"> • For both the AL8 transmitter and AR1 receiver, make sure: <ul style="list-style-type: none"> – the audio source is plugged in, turned on, and working. – both the transmitter and receiver are properly plugged into functioning AC power outlets. Refer to Steps 3 and 4 in “Connecting to a Bose® link-compatible product” on page 5. – the Bose link A cable is securely connected at both ends. Refer to “Connecting to a Bose® link-compatible product” on page 5. – the small connector end of the power cord is inserted firmly into the AC Power jack on the connection panel and the power pack is plugged securely into a working AC outlet. – the Setup code switches on the connection panel of the transmitter and the receiver are set identically. There are four options: 1 & 2 up; 1 & 2 down; 1 up & 2 down; 1 down & 2 up. – the Status LEDs are lit a solid green to indicate solid communication between the two parts. If not, refer to the next problem in this table. • For the expansion room products, make sure: <ul style="list-style-type: none"> – the system, amplifier, or powered speaker is plugged in and turned on. On an SA-2 or SA-3 amplifier in that room, make sure the status LED is lit to indicate the amplifier is working. – the room code is set on the Bose link remote control or PERSONAL® music center II to match the room codes on the amplifier or powered speaker and is unique to this expansion room. – the house code is set on the Bose link remote control or PERSONAL® music center II to match the house code of the LIFESTYLE® system in the main room.

CONFIRMING OPERATION

<p>Above problem persists and the Status LED lights are not solid green</p>	<ul style="list-style-type: none"> • Move the receiver and transmitter closer together. • Move the receiver, the transmitter, or both so the transmission path between them does not intersect with large metal objects (like a refrigerator), impervious construction materials (like thick masonry), or other obstructions (like a pool of water). • Check to see if the Status LEDs turn green as a result of the above efforts. For details, refer to “Check the indicators and settings” on page 8.
<p>Interference with a WiFi network, telephone, TV, or other electronic device</p>	<ul style="list-style-type: none"> • For interference with a WiFi network, use the Channel button on the connection panel of the transmitter to alleviate the problem. For details, refer to the owner’s guide that came with your AL8 Homewide Wireless Audio Link. • For interference with a telephone, TV, or other electronic device, move the transmitter or receiver farther from the device.
<p>Interference from a microwave oven</p>	<ul style="list-style-type: none"> • Reposition the transmitter so it is in a more open area. • Move the receiver farther from the microwave.
<p>Sound heard in the expansion room is not coming from your media center or audio source</p>	<ul style="list-style-type: none"> • Change the Setup code switches on both the transmitter and the receiver, making sure they are identical. This may prevent signals from another AL8 transmitter in the vicinity from reaching your receiver. • Try different switch settings. Your other options are: 1 & 2 up; 1 up & 2 down; or 1 down & 2 up.
<p>Unexpected sound from the media center</p>	<ul style="list-style-type: none"> • Change the house code settings in both your LIFESTYLE® system and any remote controls you are using with it. • This may prevent another nearby LIFESTYLE® system from affecting the operation of your system. • For further information on house codes and how to change them, refer to the owner’s guides that came with your LIFESTYLE® system and Bose® link remote controls.

Contacting Customer Service

For additional help in solving problems, contact Bose Customer Service. Refer to the address sheet included in the carton.

Accessories

Bose offers an adapter kit for use with the Bose® link AR1 receiver.

For further information, contact your Bose dealer or Bose Customer Service. For Bose contact information, refer to the address sheet included in the carton.

Limited warranty

This system is covered by a transferable limited warranty.

Details of the limited warranty are provided on the Product Registration Card that came with your system. Please fill out the information section on the card and mail it to Bose. Failure to do so, however, will not affect your limited warranty rights.

Technical Information

Power rating

9.5V ~ 1.0A

Power supply rating

Input: 220-240V ~ 50Hz 60mA

Output: 9.5V ~ 1.0A

Operating temperature range

0° to 40°C (32° to 104°F)

Frequency band

2.4000 GHz to 2.4835 GHz

Receiver Audio Output Level

2 Vrms (fixed)

Dimensions

3"H x 6"W x 6"D (7.6 x 15.2 x 15.2 cm)

Weight

1 lb (0.5 kg)



289658-001

BOSE[®]
Better sound through research[®]

©2005 Bose Corporation, The Mountain,
Framingham, MA 01701-9168 USA
289658 AM Rev.00 CCM-002307